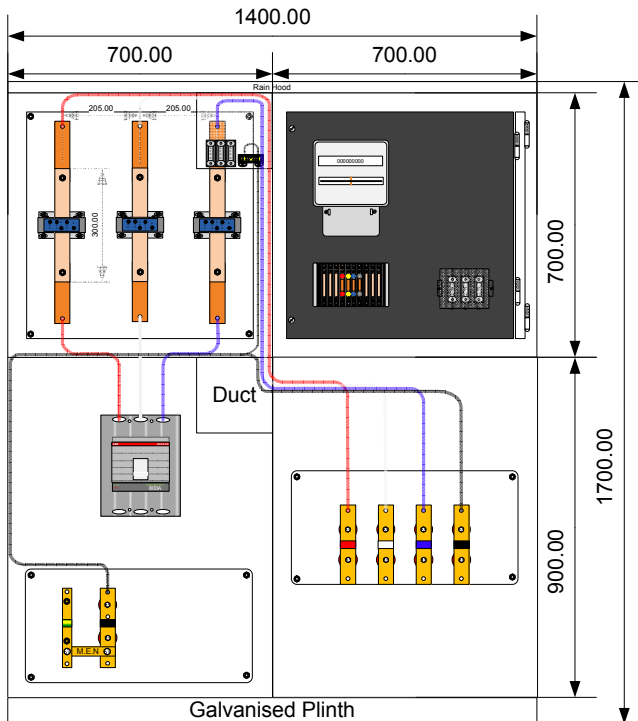
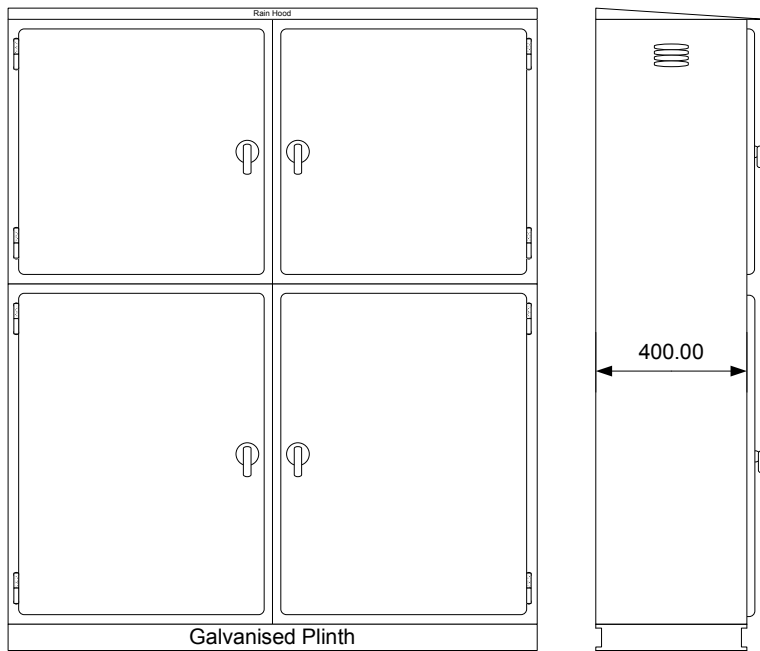




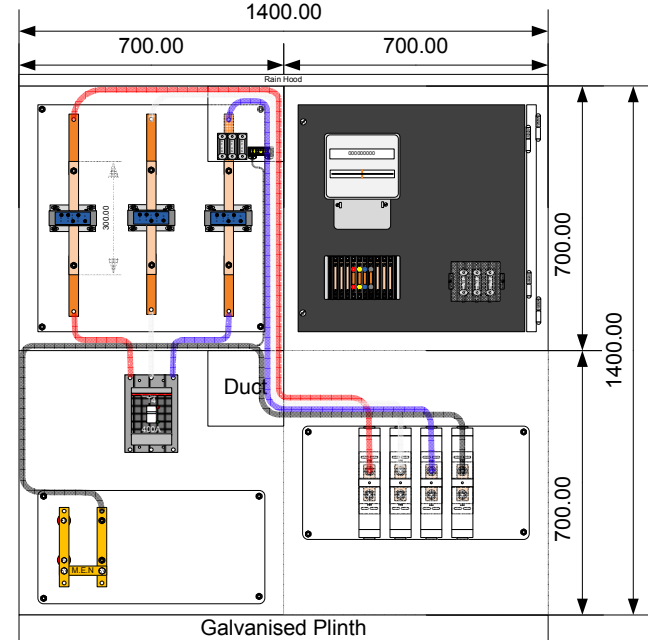
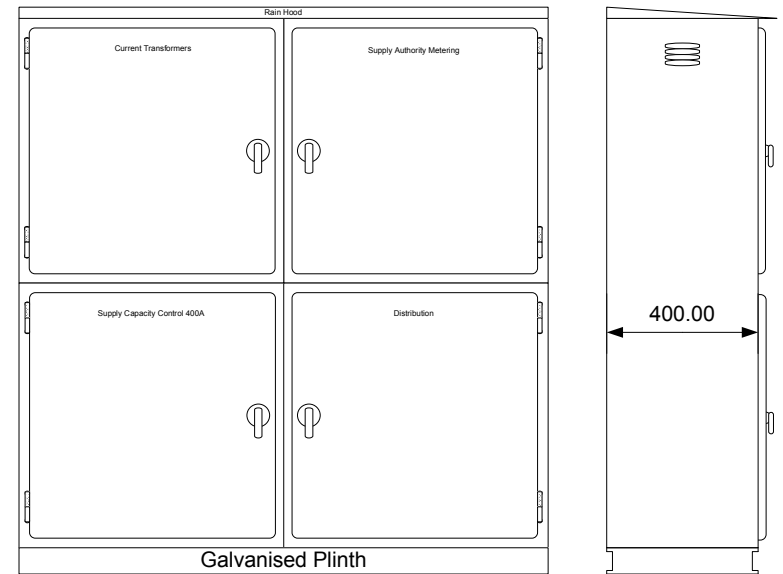
FACTORY 2
NO. 6 THAMER STREET
ROSEBUD WEST

VIC 3939
03 59862573
R.E.C 1661

Single CT Chambers



TEC:Type CT800 – 799A Max Single CT Chamber



TEC:Type CT400 – 400A Max Single CT Chamber

Features:

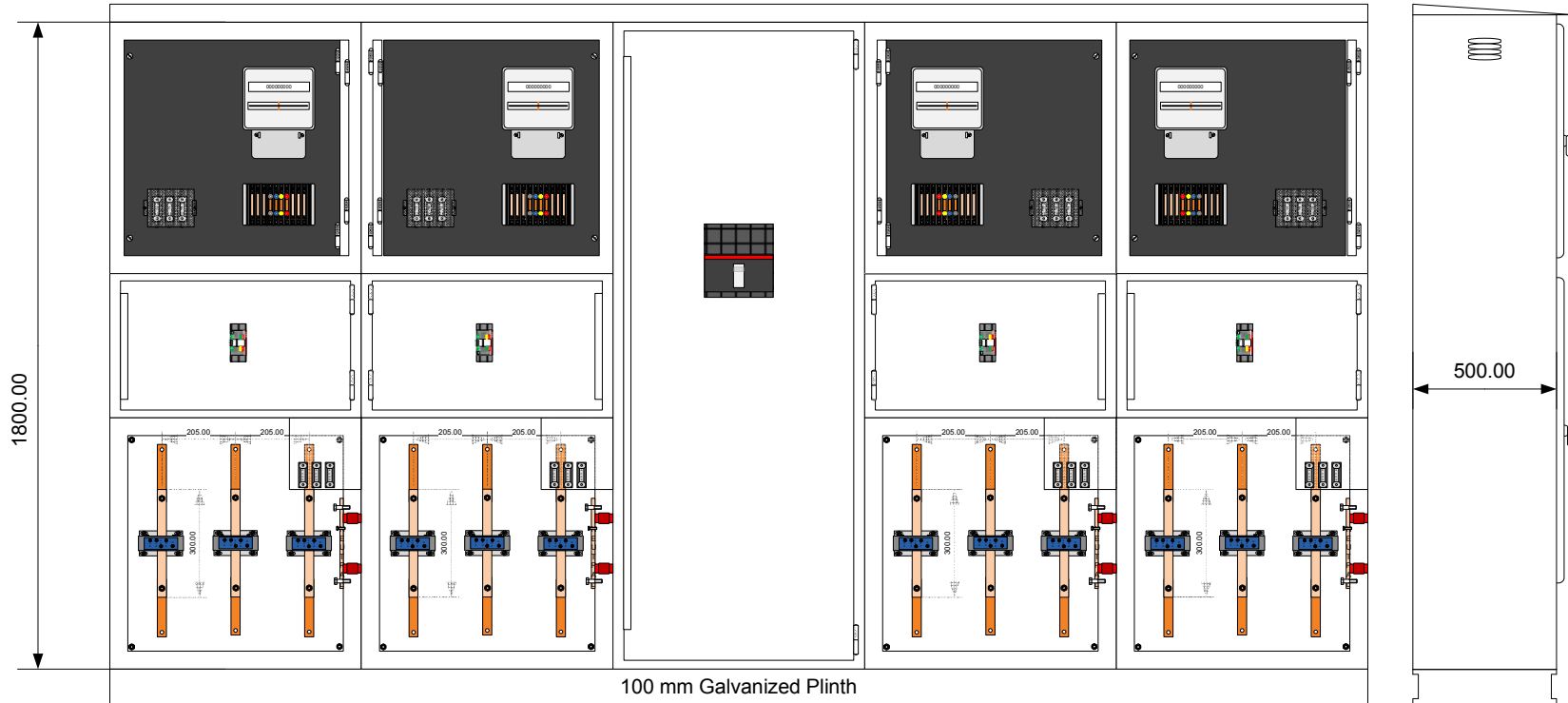
- Double Powder Coated for Maximum Protection against the elements.
- Ample space for connecting Mains and Sub-circuit cables.
- Standard 2mm Mild Steel Construction for Maximum Strength.
- Available as an Indoor or Outdoor Enclosure



FACTORY 2
NO. 6 THAMER STREET
ROSEBUD WEST

VIC 3939
03 59862573
R.E.C 1661

Multiple CT Chambers



NOTES

1. THIS SWITCHBOARD COMPLIES WITH AS 3439.1
2. PLACE OF INSTALLATION , INDOOR OUTDOOR
3. DEGREE OF PROTECTION IP
4. FORM OF SEGREGATION , FORM
5. FAULT LEVEL WITHSTAND FOR 1 SEC
6. CUBICLE CONSTRUCTION MILD STEEL ALUMINIUM STAINLESS STEEL
7. PAINT COLOUR APO GREY NOTRE DAME CREAM CUSTOM
8. ALL CABLE POWER FLEX RATED TO SUIT
9. CUBICLE DEPTH 400 MM 500 MM 600 MM
10. ESCUTCHEONS HINGED WITH CHROME PLATED LIFT OFF HINGES
11. ALL UNMETERED SECTIONS SEALED TO SUPPLY AUTHORITY SPECIFICATIONS
12. A4 METAL SCHEDULE CARD HOLDERS BEHIND EACH DOOR
13. VERMIN PROOF VENTILATION LOUVRES ON EACH SIDE OF CUBICLE
14. ALL HANDLES ARE PAD LOCKABLE (PADLOCKS NOT SUPPLIED)

TEC:Type CTMulti – Multiple CT Metering Chambers

Features:

- Double Powder Coated for Maximum Protection against the elements.
- Ample space for connecting Mains and Sub-circuit cables.
- Standard 2mm Mild Steel Construction for Maximum Strength.
- Indoor or Outdoor Construction